

**HY931147C**

Electrical Specification @25°C

RoHS Compliant (PB Free)

Isolation: 1500Vrms 1 minute (P2+P5 to J2+J3)

OCL: 350uH Minimum @100KHz 100mV with 8mADC

Insertion Loss: -1.0dB Maximum @1MHz ~ 100MHz

Return Loss: -18dB Minimum @1MHz ~ 30MHz

-16dB Minimum @30MHz ~ 45MHz

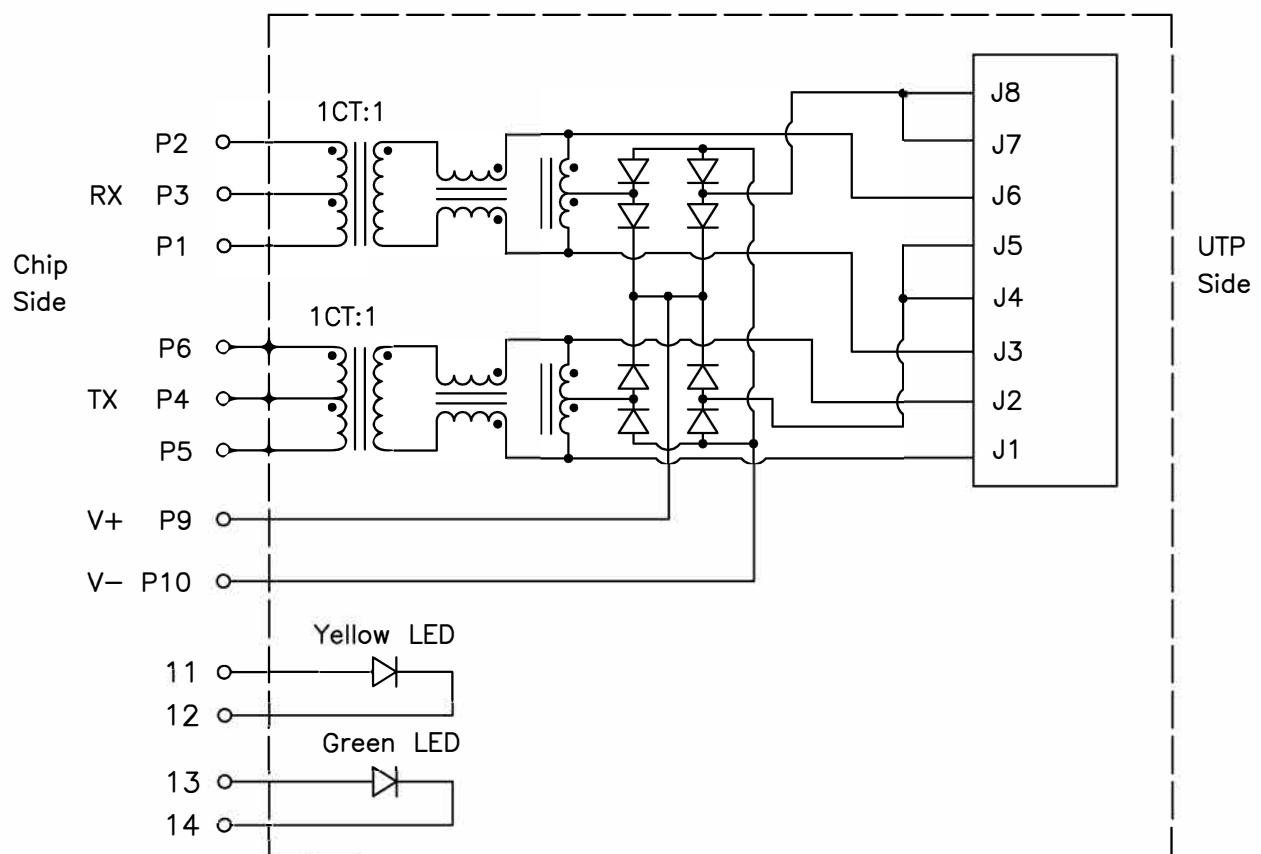
-14dB Minimum @45MHz ~ 60MHz

-12dB Minimum @60MHz ~ 80MHz

Common Mode Rejection: -35dB Minimum @1MHz ~ 100MHz

Crosstalk: -30dB Minimum @1MHz ~ 100MHz

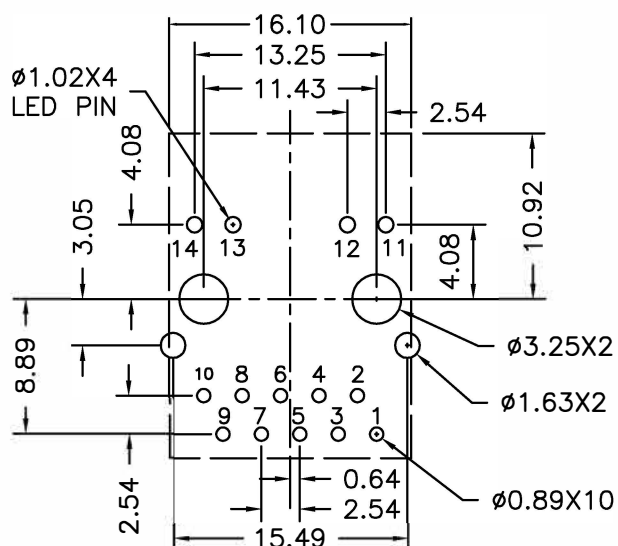
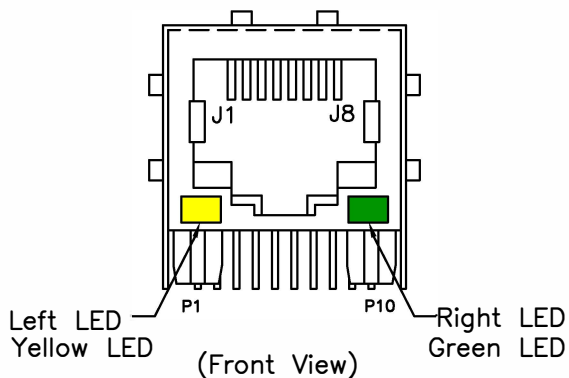
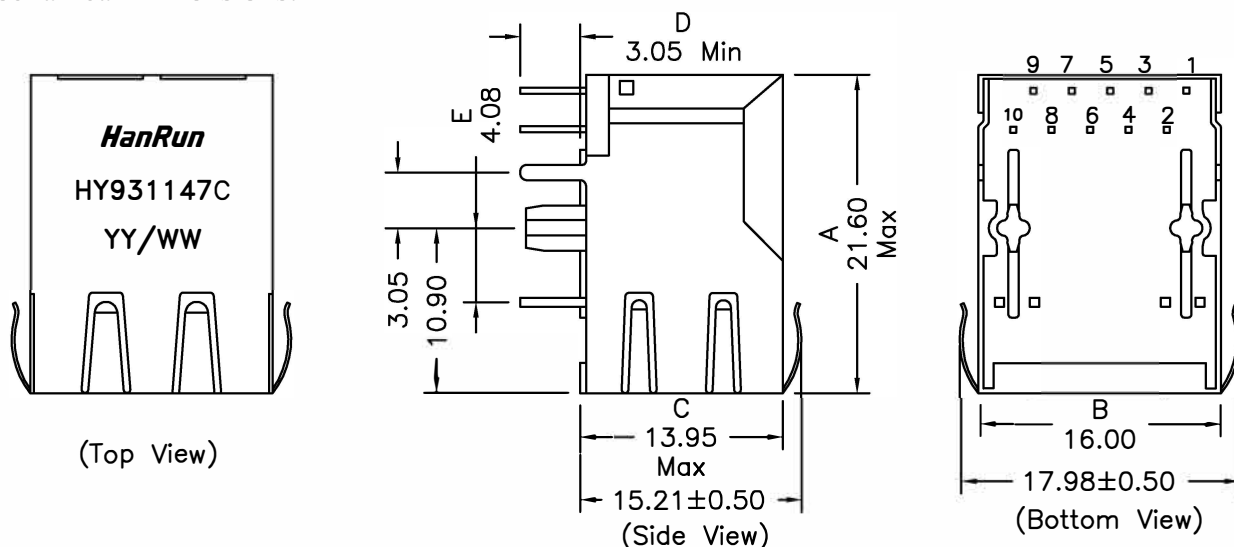
Schematics



**HY931147C**

- RoHS Compliant (PB Free)
- Meets or Exceeds IEEE802.3af standards including 350uH Min OCL with 8mADC
- High performance for EMI suppression, Crosstalk, Return Loss and Consistent Electrical
- Minimum 1500Vrms isolation per IEEE802.3 requirement
- Minimize PCB space and Simplify PCB Layout
- Less magnetic components to be placed on PCB, Higher reliability and yields

**Mechanical Dimensions:**



Standard LED	Wavelength	Forward V (Min/Max)	Forward A	Type
Green	568nm	1.8V/2.8V	20mA	squareness
Yellow	585nm	1.8V/2.8V	20mA	squareness

Dimensions in mm

Unless otherwise specified, Tolerance: .xx ±0.25

REV.A/1