

**HR915359CE**

**Electrical Specification @25°C**

RoHS Compliant (PB Free)

Isolation: 1500Vrms 0.5mA 60sec (UTP Side to Chip Side)

OCL: 350uH Minimum @100KHz 100mV with 8mADC

Insertion Loss: -1.0dB Maximum @1MHz ~ 100MHz / -1.2dB Minimum @100MHz ~ 125MHz

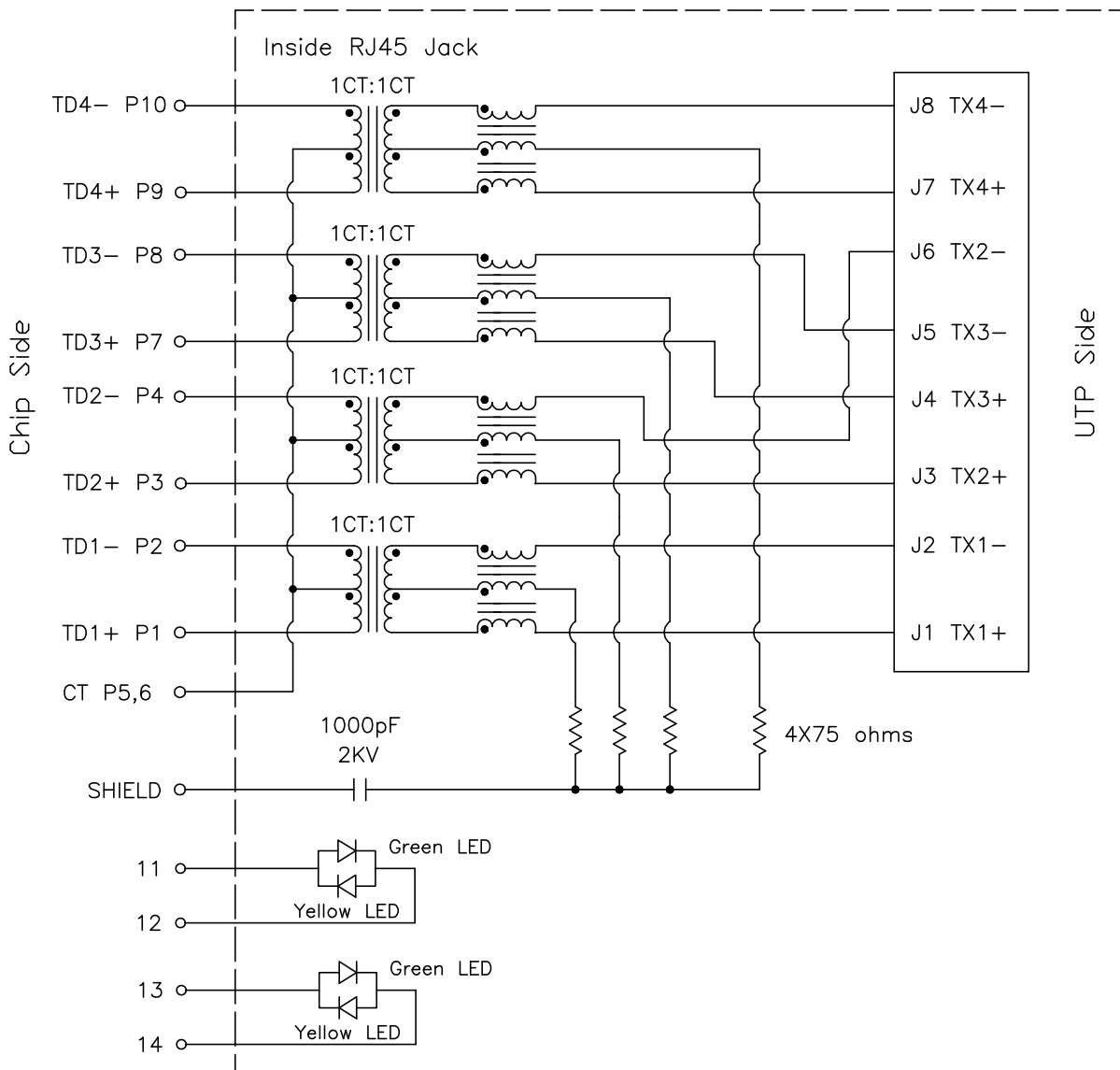
Return Loss: -18dB Minimum @1MHz ~ 30MHz / -13.5dB Minimum @30MHz ~ 60MHz

-12dB Minimum @60MHz ~ 80MHz / -10dB Minimum @80MHz ~ 100MHz

Common Mode Rejection: -30dB Minimum @1MHz ~ 100MHz

Crosstalk: -30dB Minimum @1MHz ~ 100MHz

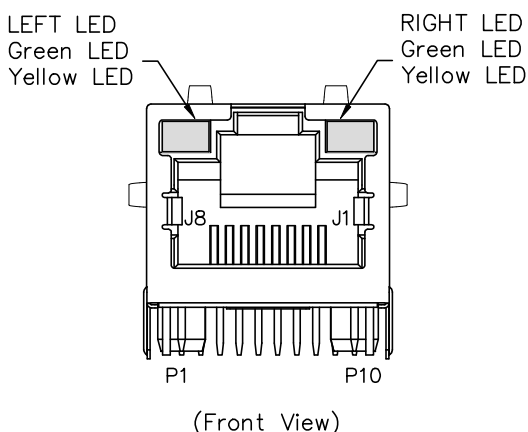
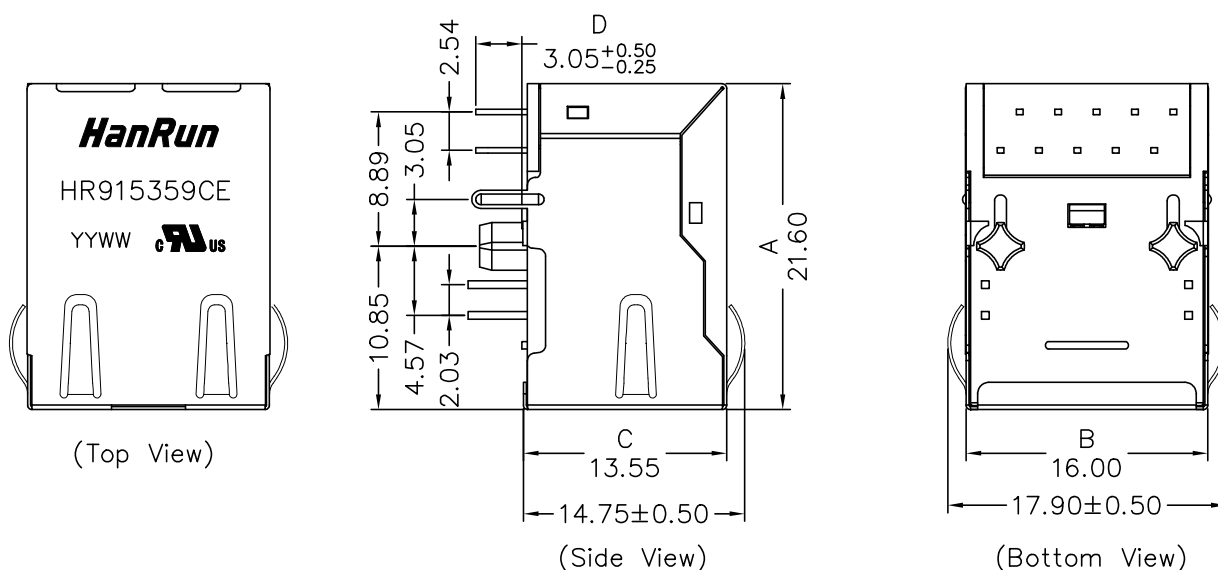
**Schematics**



**HR915359CE**

- RoHS Compliant (PB Free)
- Meets or Exceeds IEEE802.3ab standards including 350uH Min OCL with 8mADC
- High performance for EMI suppression, Crosstalk, Return Loss and Consistent Electrical
- Minimum 1500Vrms isolation per IEEE802.3 requirement
- Minimize PCB space and Simplify PCB Layout
- Less magnetic components to be placed on PCB, higher reliability and yields
- UL Recognized Component: File # E330599

**Mechanical Dimensions:**



Standard LED	Wavelength	Forward V (Min/Max)	Forward A	Type
Green/Yellow	568nm/585nm	1.8V/2.8V	20mA	squareness

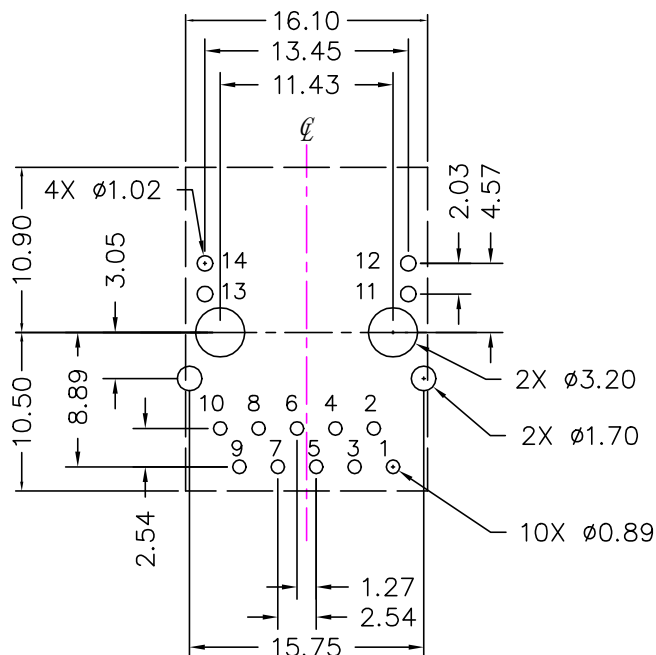
Dimensions in mm

Unless otherwise specified, Tolerance: .xx ±0.25

REV.: 02

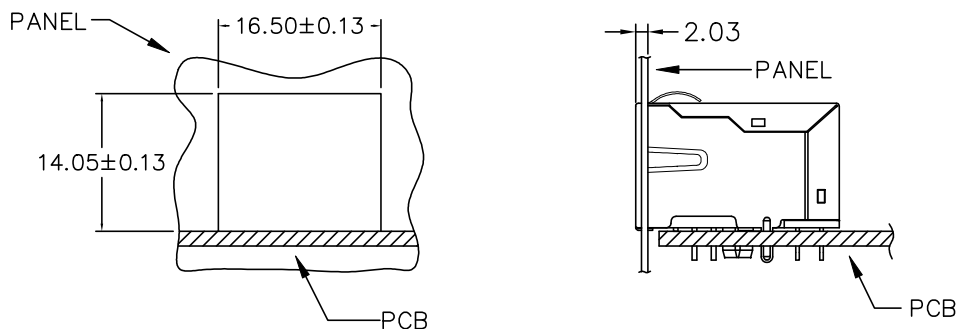
**HR915359CE**

PCB Layout:



Recommended PCB layout (Component Side View)  
All dimension tolerance are  $\pm 0.08$  unless otherwise specified

Suggested Panel Cutout:



SUGGESTED PANEL OPENING

Dimensions in mm

Unless otherwise specified, Tolerance: .xx  $\pm 0.25$

REV.: 02

## HR915359CE

### Material Specification:

Housing: PA66 GF Black UL94V-0  
Shield: 50u" Nickel over 0.20mm Thickness Brass  
Insert: PA66 GF Black UL94V-0  
Phosphor Bronze 0.35mm Thickness  
Plating Area, 30u" gold over 50u" nickel  
Solder Area, 100u" tin over 50u" nickel

### Mechanical Performance:

Mating force: 5 lbs Maximum  
Unmating force: 5 lbs Maximum  
Operating life: 750 Cycles Minimum

### Operating and Storage Temperature:

Operating Temperature Range: -40°C ~ +85°C  
Storage Temperature Range: -40°C ~ +85°C