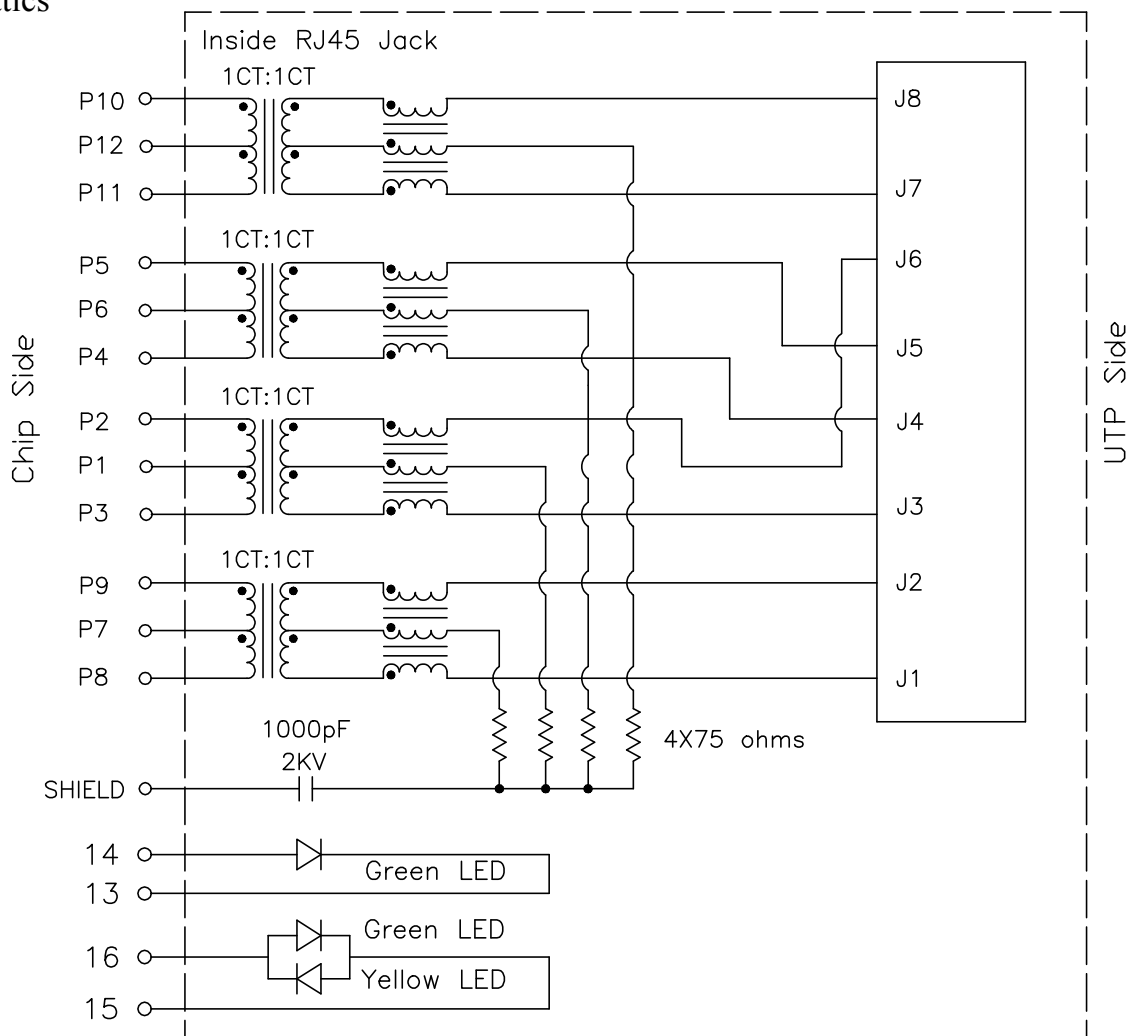


**HR911080A**

**Electrical Specification @25°C**

RoHS Compliant (PB Free)  
 Operating Temperature Range: 0°C ~ +70°C  
 Isolation: 1500Vrms or 2250Vdc 0.5mA 60sec (J1~8 to P1~12)  
 OCL: 120uH Minimum @100KHz 100mV  
 Insertion Loss: -3.0dB Maximum @100KHz / -2.0dB Maximum @1MHz ~ 400MHz  
 Return Loss: -18dB Minimum @1MHz ~ 40MHz / -13dB Minimum @40MHz ~ 100MHz  
                   -10dB Minimum @100MHz ~ 200MHz / -8.3dB Minimum @200MHz ~ 300MHz  
                   -7dB Minimum @300MHz ~ 400MHz / -6dB Minimum @400MHz ~ 500MHz  
 Common Mode Rejection Ratio: -35dB Minimum @1MHz ~ 100MHz  
   -30dB Minimum @100MHz ~ 300MHz / -25dB Minimum @300MHz ~ 500MHz  
 CDMR: -30dB Minimum @1MHz ~ 250MHz / -22dB Minimum @250MHz ~ 500MHz  
 Crosstalk: -28dB Minimum @1MHz ~ 100MHz / -19dB Minimum @100MHz ~ 500MHz

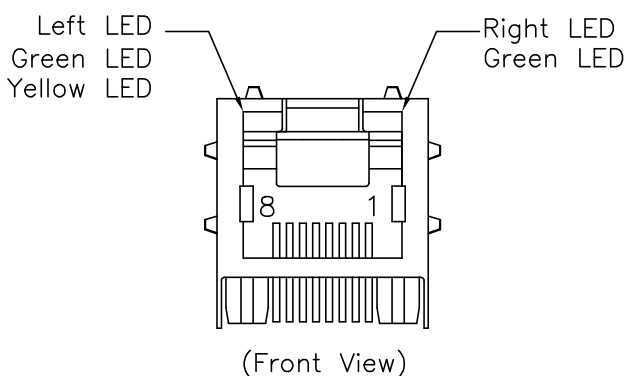
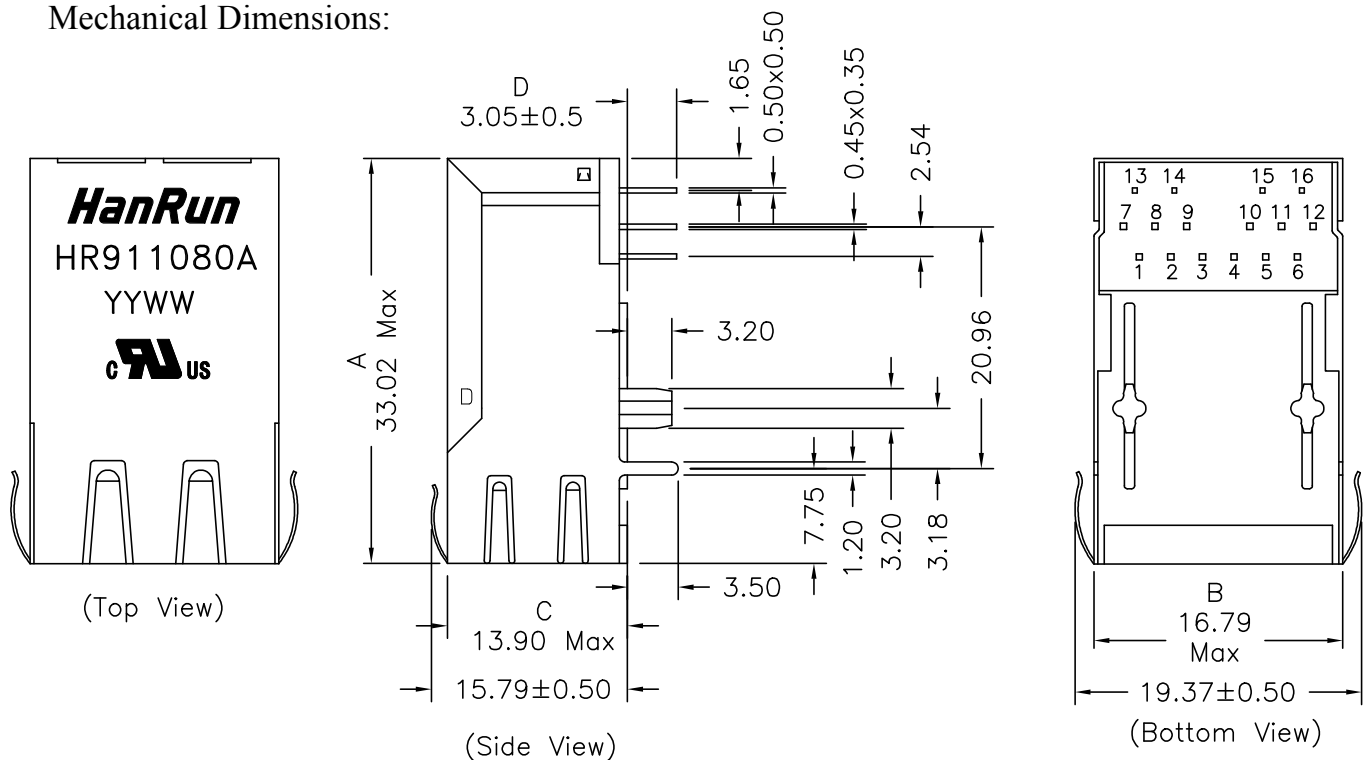
**Schematics**



**HR911080A**

- RoHS Compliant (Pb Free)
- Sing port Tab-UP with internal magnetics for 10GBase-T
- Meets or Exceeds IEEE802.3an standards
- High performance for EMI suppression, Crosstalk, Return Loss and Consistent Electrical
- Minimum 1500Vrms isolation per IEEE802.3 requirement
- UL Recognized Component: File # E330599

**Mechanical Dimensions:**



Standard LED	Wavelength	Forward V (Min/Max)	Forward A	Type
Green/Yellow	568nm/585nm	1.8V/2.8V	20mA	squareness
Green	568nm	1.8V/2.8V	20mA	squareness

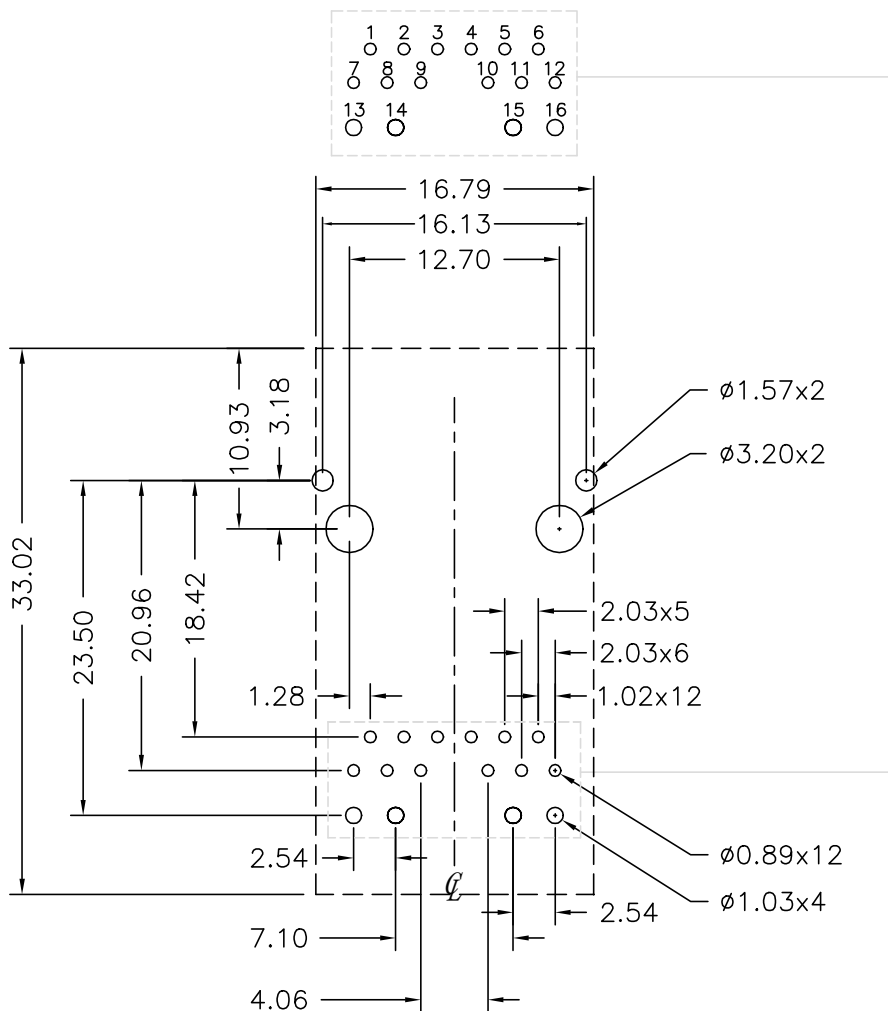
Dimensions in mm

Unless otherwise specified, Tolerance: .xx ±0.25

REV.: 02

HR911080A

PCB Layout:



(Recommended PCB layout)

Component side PCB thickness: 1.60mm

All dimension tolerance are  $\pm 0.08$  unless otherwise specified

Dimensions in mm

Unless otherwise specified, Tolerance: .xx  $\pm 0.25$

REV.: 02