

HR911196AE

Electrical Specification @25°C

RoHS Compliant (PB Free)

Operating Temperature Range: $-40^{\circ}\text{C} \sim +85^{\circ}\text{C}$

Isolation: 1500Vrms 60Hz 0.5mA 1MIN (J1~8 to P1~12)

OCL: 350uH Minimum @100KHz 100mV with 20mADC Lp

Turns Ratio: 1CT:1CT $\pm 5\%$

Insertion Loss: -1.0dB Typical @1MHz $\sim 100\text{MHz}$

Return Loss: -16dB Typical @30MHz / -12dB Typical @60MHz $\sim 80\text{MHz}$

-10dB Typical @100MHz

Common Mode Rejection: -27dB Typical @1MHz $\sim 50\text{MHz}$

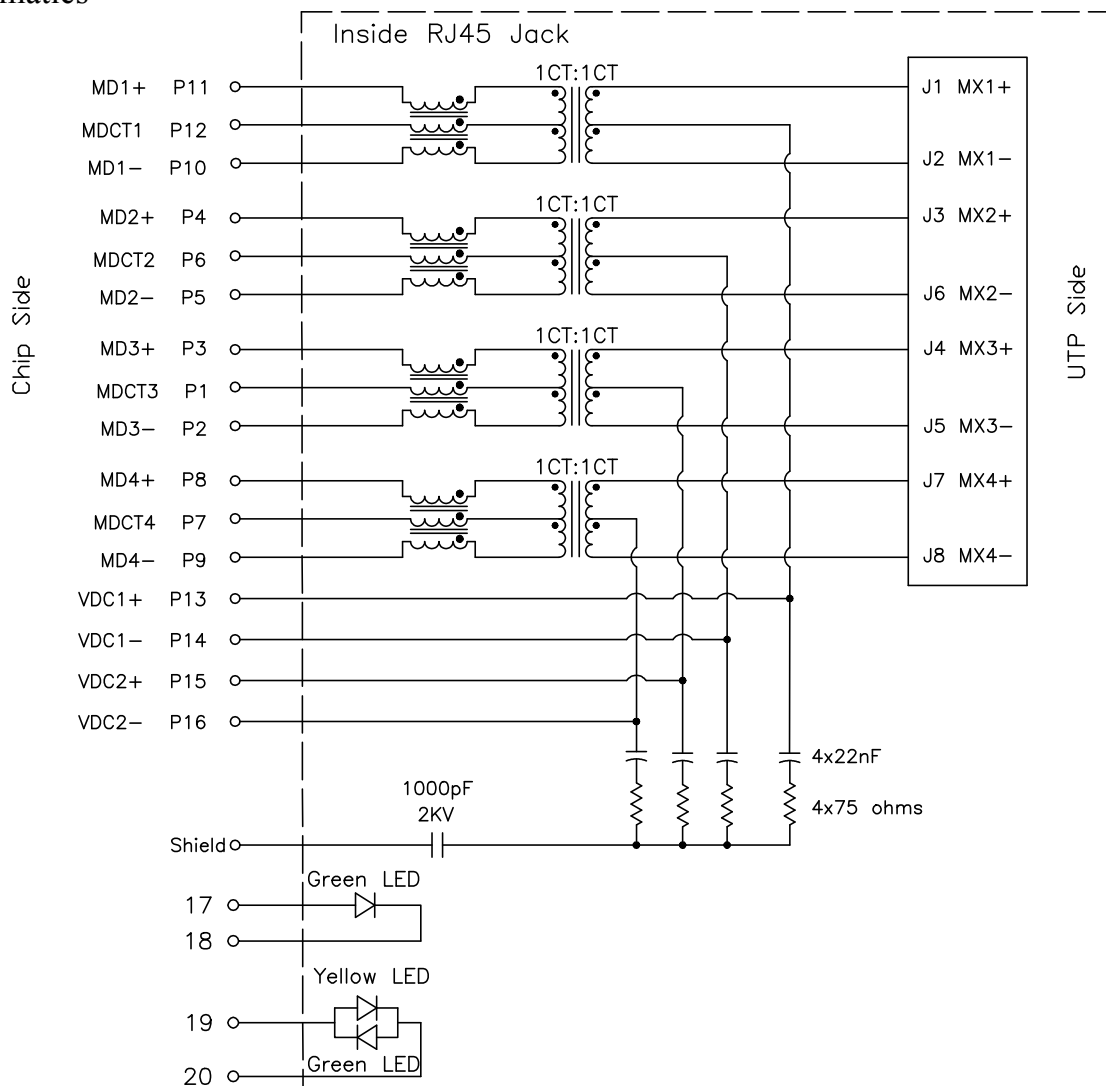
-20dB Typical @50MHz $\sim 130\text{MHz}$

Crosstalk: -44dB Typical @30MHz / -37dB Typical @60MHz / -33dB Typical @100MHz

Designed To Support 57VDC, 600mA per centre tap

(30W when using 2 centre taps; 60W when using 4 centre taps)

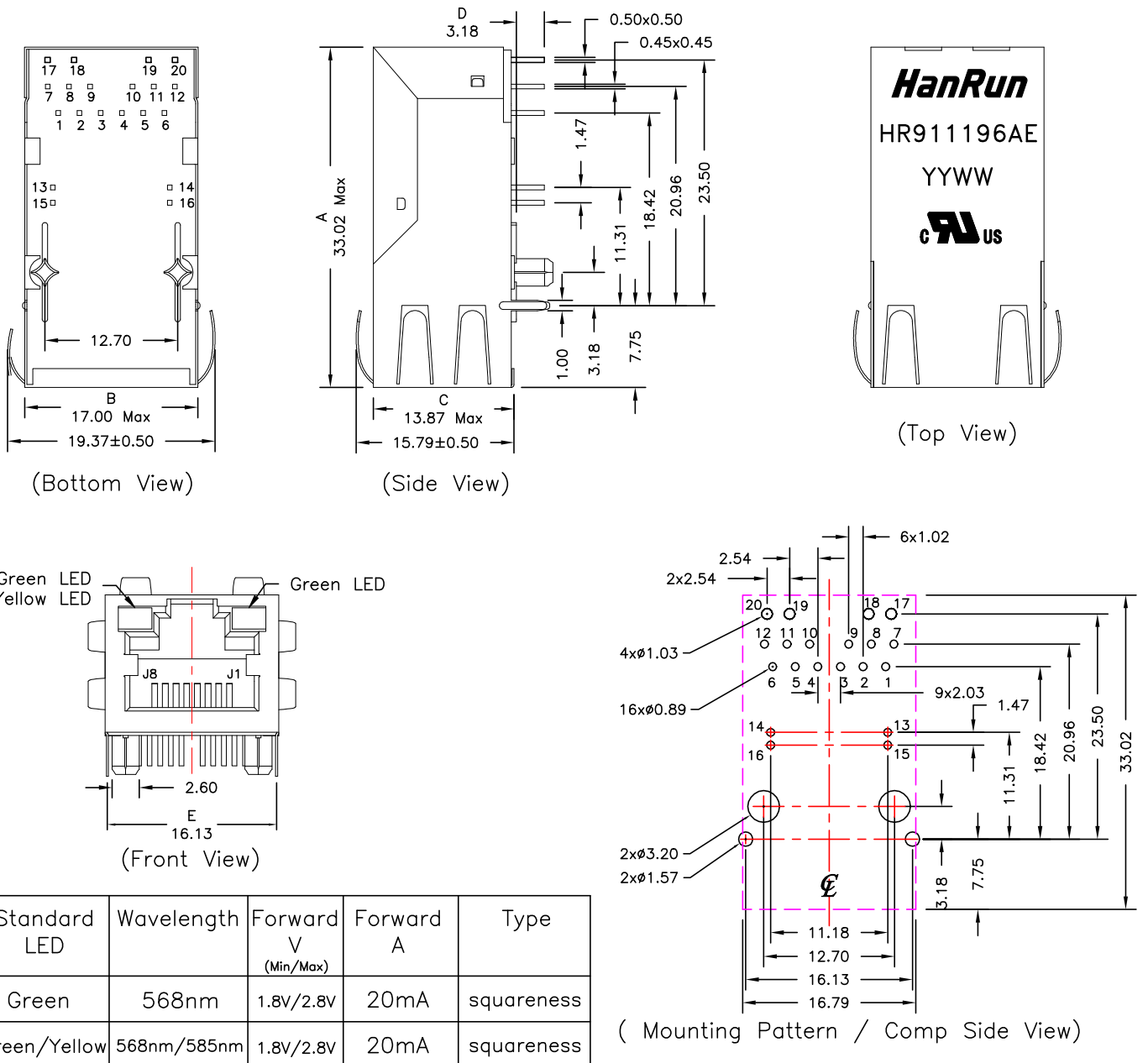
Schematics



HR911196AE

- RoHS Compliant (Pb Free)
- Sing port Tab-UP with internal magnetics for 10/100/1000 Base-TX
- Meets or Exceeds IEEE802.3at standards including 350uH Min OCL with 20mADC
- High performance for EMI suppression, Crosstalk, Return Loss and Consistent Electrical
- Minimum 1500Vrms isolation per IEEE802.3 requirement
- UL Recognized Component: File # E330599

Mechanical Dimensions:



Dimensions in mm
Unless otherwise specified, Tolerance: .xx ±0.25

REV.02