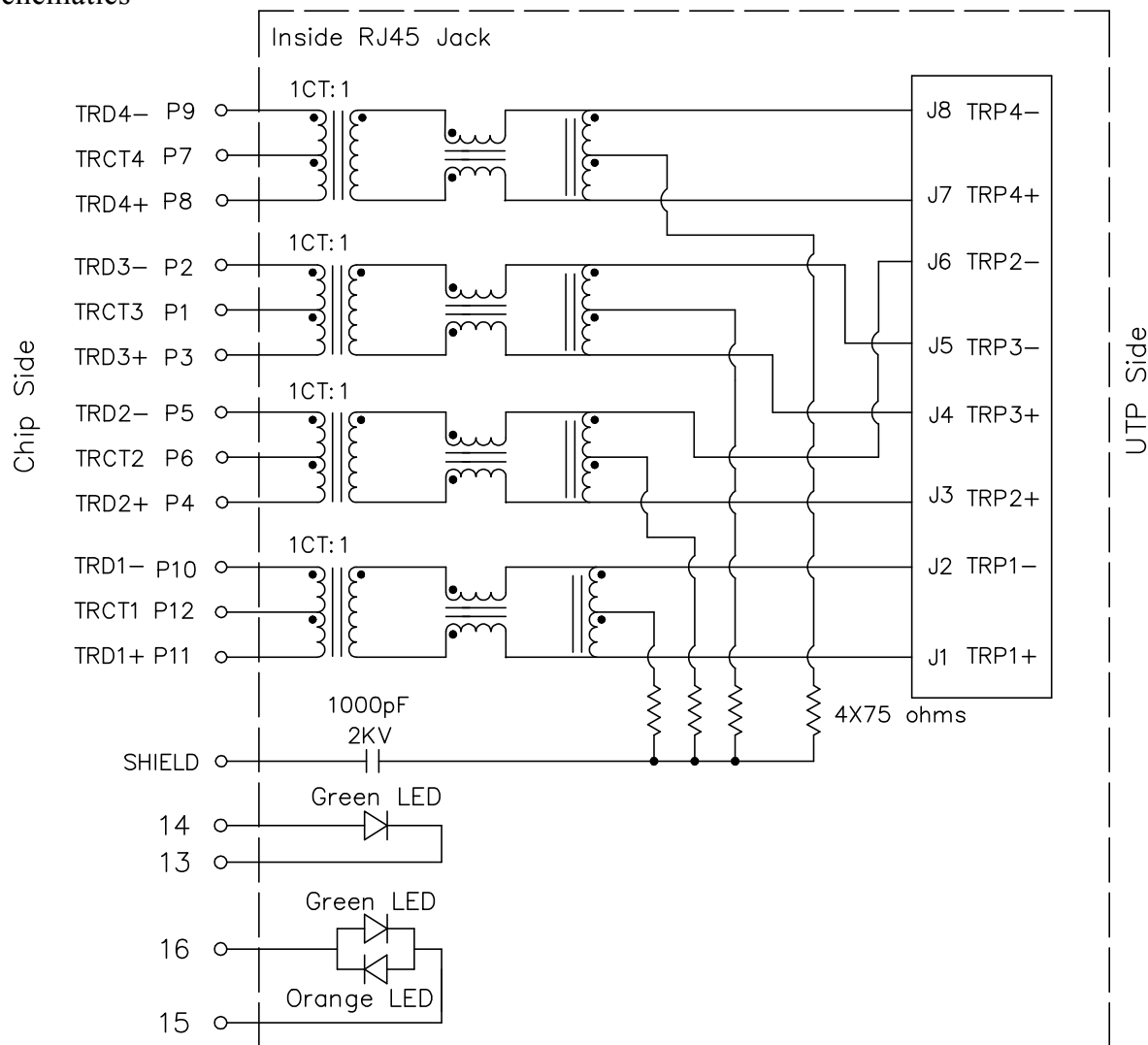


**HY911180A**

**Electrical Specification @25°C**

RoHS Compliant (PB Free)  
 Operating Temperature Range: 0°C ~ +70°C  
 Isolation: 1500Vrms 0.5mA 60Sec (UTP Side to Chip Side)  
 OCL: 350uH Minimum @100KHz 100mV with 8mADC  
 Turns Ratio: 1:1 ±5%  
 Insertion Loss: -1.0dB Maximum @1MHz ~ 100MHz  
 Return Loss: -18dB Minimum @1MHz ~ 30MHz / -14dB Minimum @30MHz ~ 60MHz  
 -12dB Typical @60MHz ~ 80MHz  
 Common Mode Rejection: -30dB Minimum @1MHz ~ 100MHz  
 Crosstalk: -32dB Minimum @1MHz ~ 10MHz / -28dB Minimum @32MHz ~ 65MHz  
 -24dB Minimum @65MHz ~ 100MHz

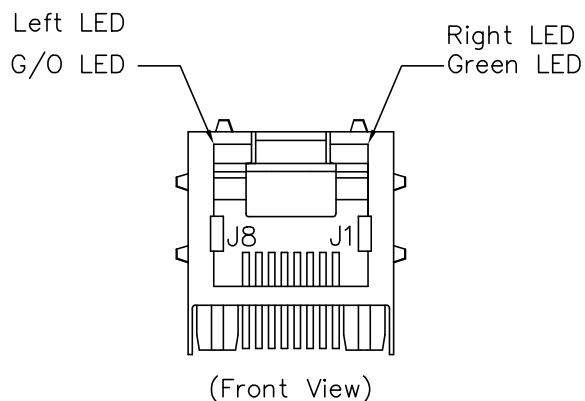
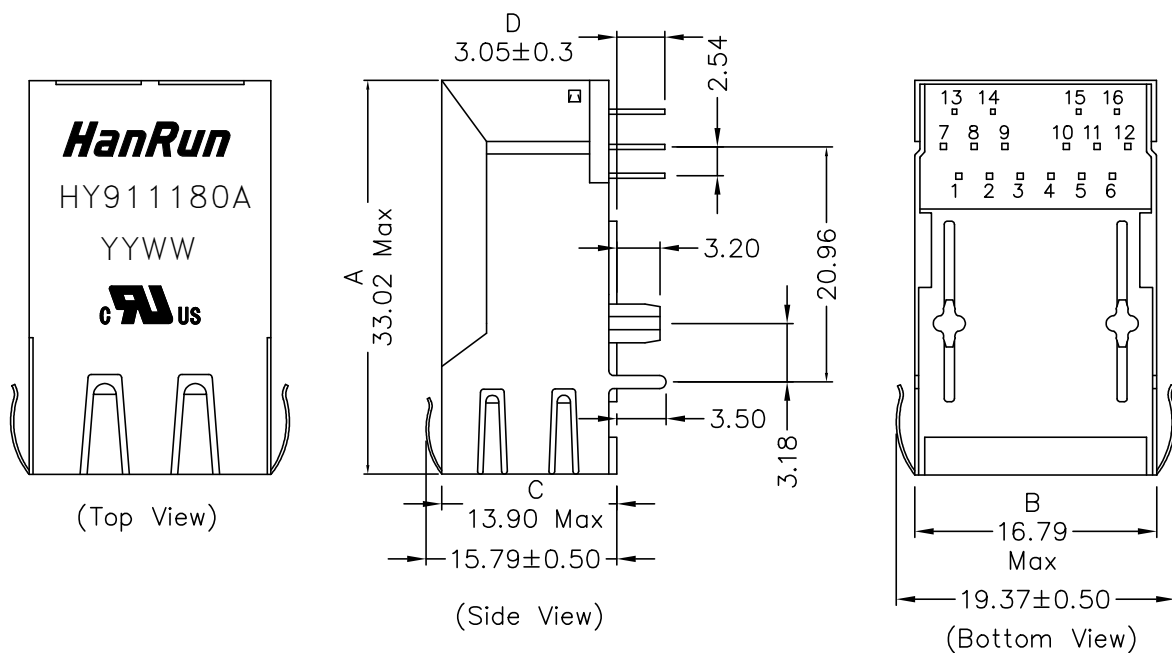
**Schematics**



**HY911180A**

- RoHS Compliant (Pb Free)
- Sing port Tab-UP with internal magnetics for 10/100/1000 Base -TX
- Meets or Exceeds IEEE802.3ab standards including 350uH Min OCL with 8mADC
- High performance for EMI suppression, Crosstalk, Return Loss and Consistent Electrical
- Minimum 1500Vrms isolation per IEEE802.3 requirement
- UL Recognized Component: File # E330599

**Mechanical Dimensions:**



Standard LED	Wavelength	Forward V (Min/Max)	Forward A	Type
Green/Orange	568nm/600nm	1.8V/2.8V	20mA	squareness
Green	568nm	1.8V/2.8V	20mA	squareness

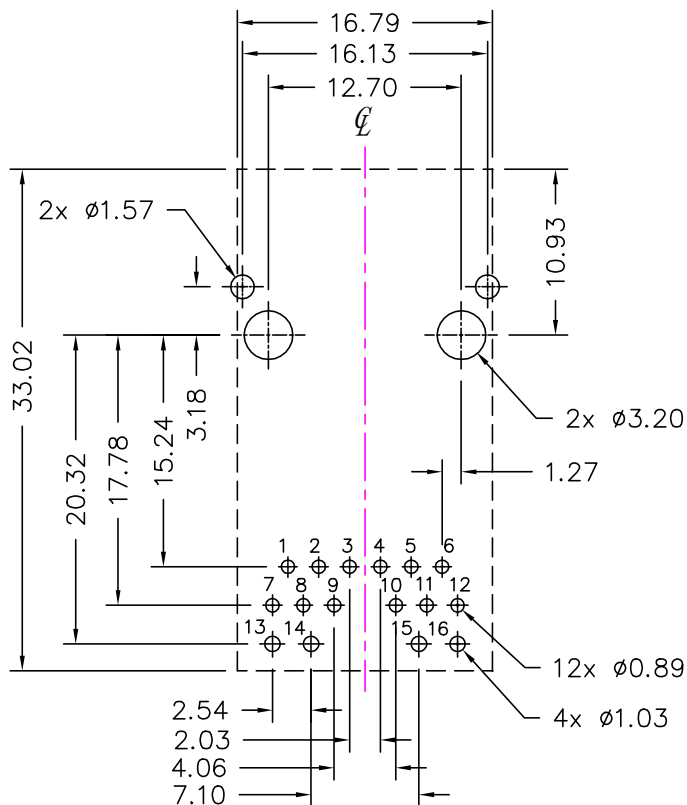
Dimensions in mm

Unless otherwise specified, Tolerance: .xx ±0.25

REV.: A/7

**HY911180A**

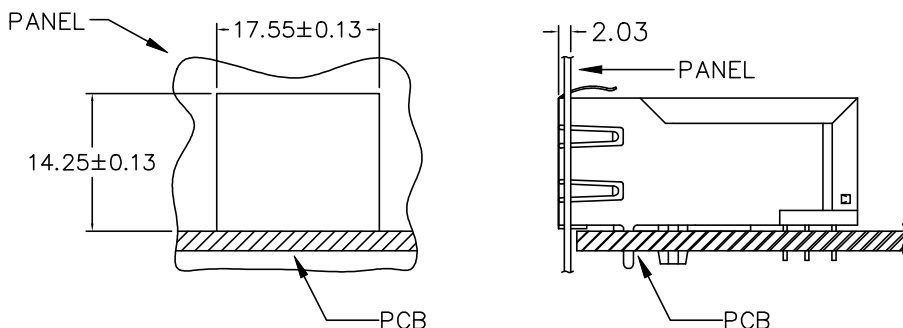
PCB Layout:



Component Side View  
Recommended PCB layout

All dimension tolerance are  $\pm 0.08$  unless otherwise specified

Suggested Panel Cutout:



Dimensions in mm

Unless otherwise specified, Tolerance: .xx  $\pm$  0.25

REV.: A/7

## HY911180A

### Material Specification:

Housing: PBT GF Black UL94V-0  
Shield: 30u" Nickel over 0.20mm Thickness Brass  
Insert: PBT GF Black UL94V-0  
Phosphor Bronze 0.35mm Thickness  
Plating Area, 30u" gold over, 50u" nickel  
Solder Area, 100u" tin over, 50u" nickel

### Mechanical Performance:

Mating force: 5 lbs Maximum  
Unmating force: 5 lbs Maximum  
Plug to Jack Retention force: 20 lbs Minimum  
Operating life: 750 Cycles Minimum

### Operating and Storage Temperature:

Operating Temperature Range: 0°C ~ +70°C  
Storage Temperature Range: -40°C ~ +85°C