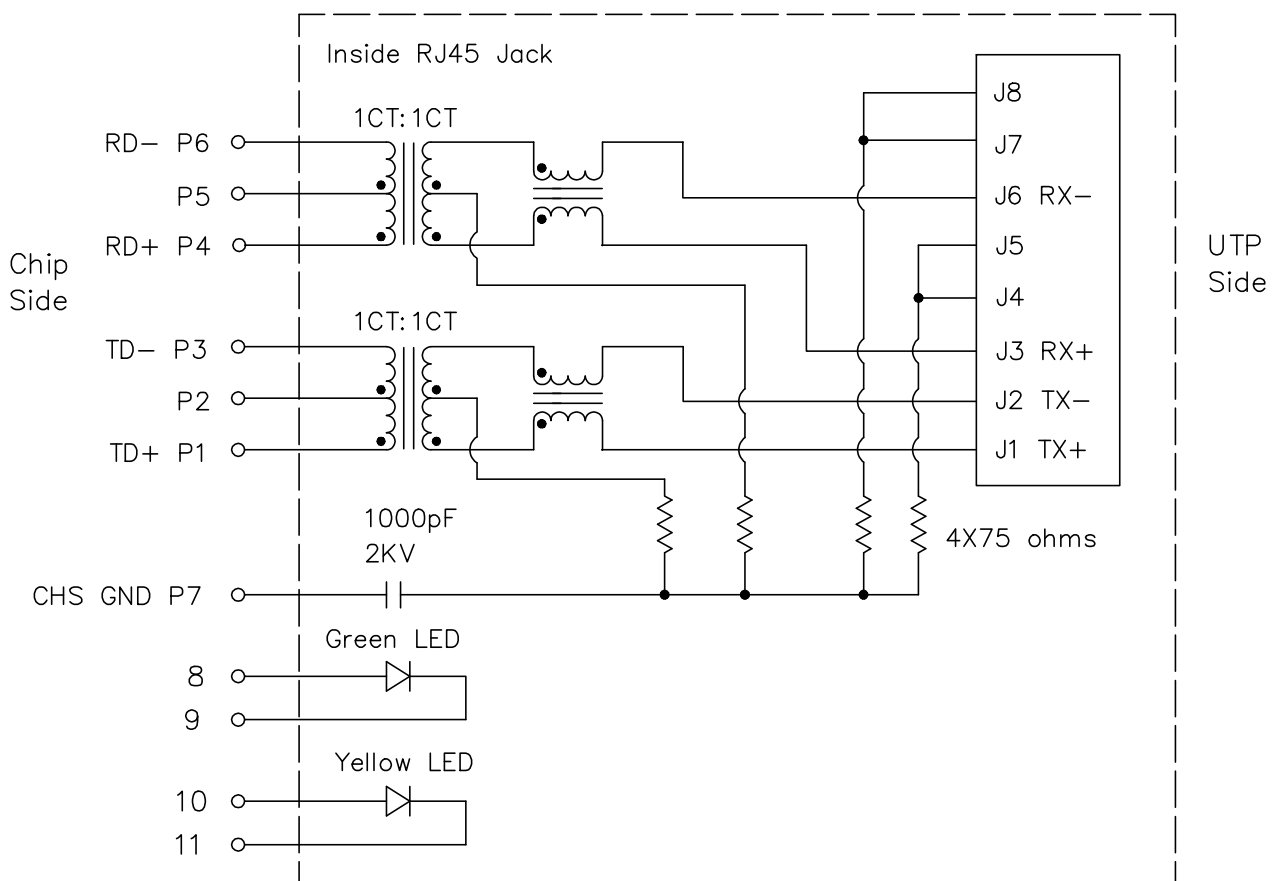


HR915300A

Electrical Specification @25°C

Isolation: 2250VDC 0.5mA 60S (UTP Side to Chip Side)
 OCL: 350uH Minimum @100KHz 100mV with 8mADC
 Insertion Loss: -1.0dB Maximum @100KHz ~ 100MHz
 Return Loss: -16dB Minimum @1MHz ~ 30MHz / -13.5dB Minimum @30MHz ~ 60MHz
 -12dB Minimum @60MHz ~ 80MHz / -10dB Minimum @80MHz ~ 100MHz
 Common Mode Rejection: -30dB Minimum @1MHz ~ 100MHz
 Crosstalk: -35dB Minimum @1MHz ~ 30MHz / -30dB Minimum @30MHz ~ 100MHz

Schematics



Notes: Connect CHS GND to PCB Ground

HR915300A

Commercial standards, specifications and Summary:

RoHS Compliant (Pb Free)

Sing port Tab-UP with internal magnetics for 10/100Base -T

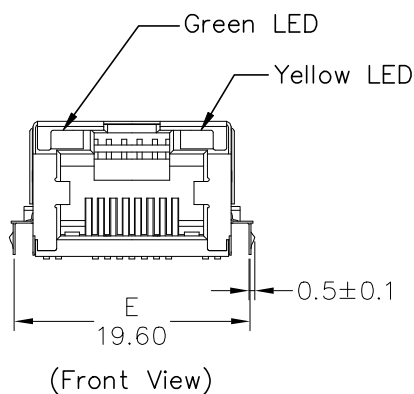
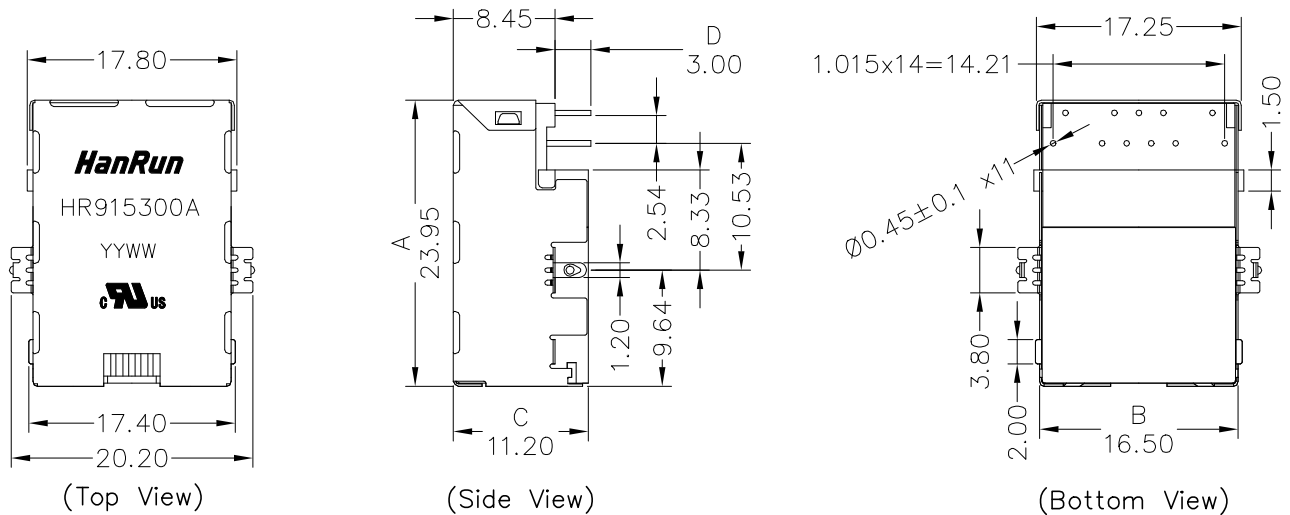
Meets or Exceeds IEEE802.3 standards including 350uH Min OCL with 8mADC

High performance for EMI suppression, Crosstalk, Return Loss and Consistent Electrical

Minimum 2250VDC isolation per IEEE802.3 requirement

UL Recognized Component: File # E330599

Mechanical Dimensions:



Standard LED	Wavelength	Forward V (Min/Max)	Forward A	Type
Green	569nm	1.8V/2.8V	20mA	squareness
Yellow	585nm	1.8V/2.8V	20mA	squareness

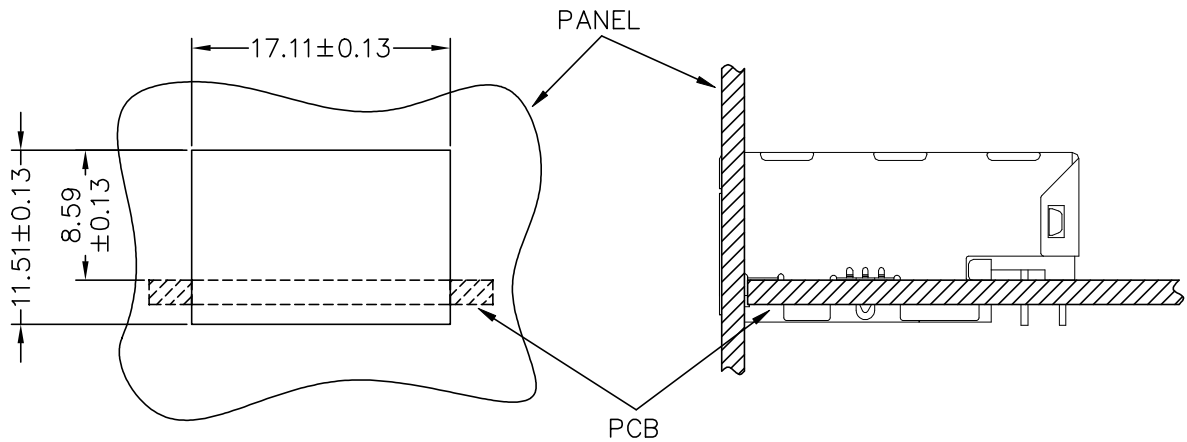
Dimensions in mm

Unless otherwise specified, Tolerance: .xx ± 0.25

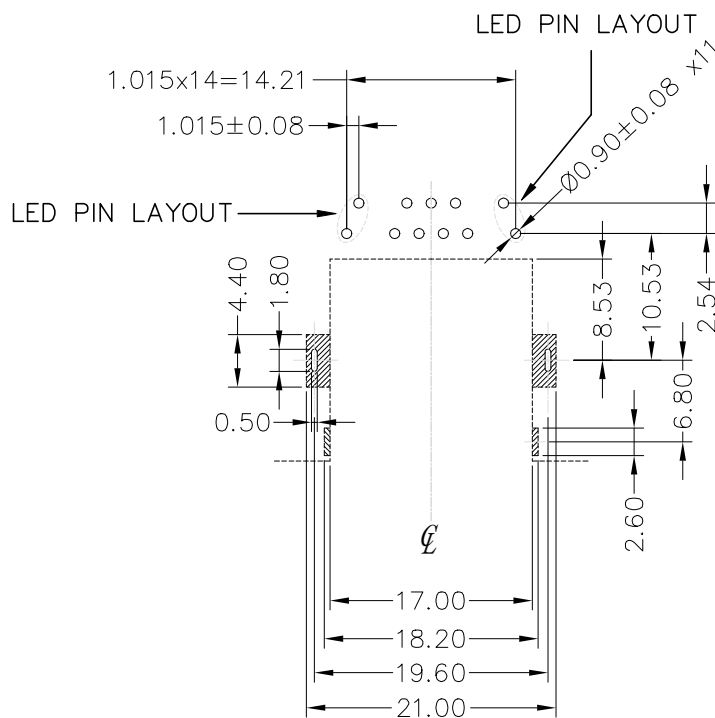
REV.: 01

HR915300A

Suggested Panel Opening:



PCB Layout:



Recommended PCB layout (Component Side View)

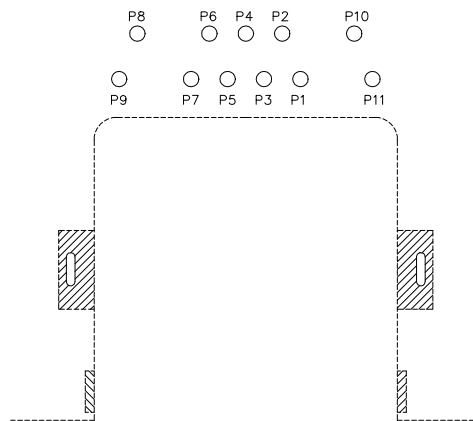
Component side PCB thickness: 1.60mm

All dimension tolerance are ± 0.08 unless otherwise specified

NOTES:
THE SHADED AREA ON THE CUSTOMER BOARD ARE RECOMMENDED TO CLEAR OFF ANY VIA HOLE OR COMPONENT PAD

HR915300A

Pin Assignments:



(COMPONENT SIDE VIEW)

Mechanical Performance:

- Mating force: 5 lbs Maximum
- Unmating force: 5 lbs Maximum
- Plug to Jack Retention force: 12 lbs Minimum
- Operating life: 750 Cycles Minimum

Operating and Storage Temperature:

- Operating Temperature Range: 0°C ~ +75°C
- Storage Temperature Range: -40°C ~ +85°C