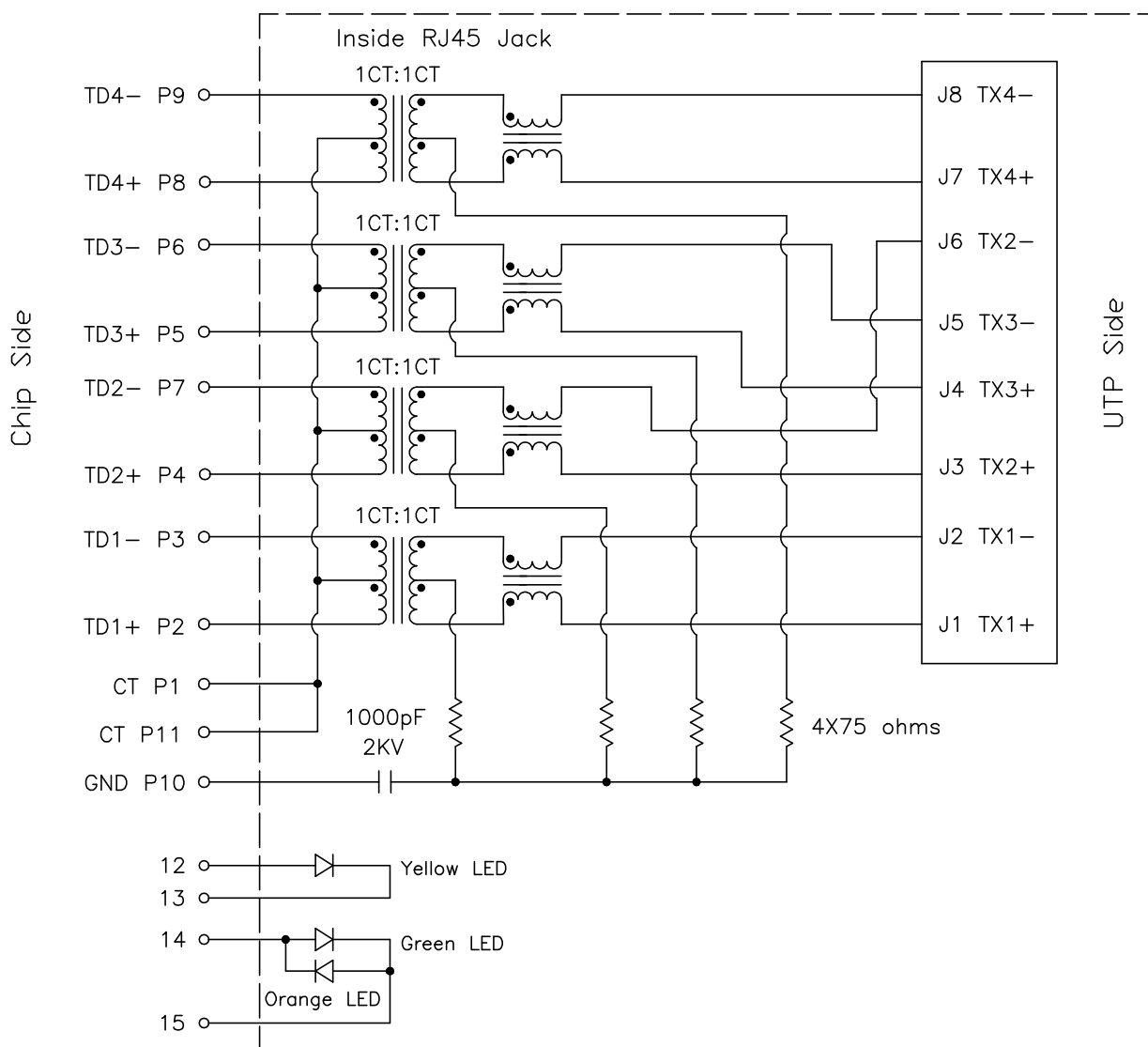


HR915102AE

Electrical Specification @25°C

Isolation: 2250VDC 0.5mA 60S (UTP Side to Chip Side)
 OCL: 350uH Minimum @100KHz 100mV with 8mADC
 Insertion Loss: -1.0dB Maximum @100KHz ~ 100MHz
 Return Loss: -20dB Minimum @1MHz ~ 10MHz / -16dB Minimum @30MHz
 -12dB Minimum @60MHz ~ 80MHz
 Common Mode Rejection: -30dB Minimum @1MHz ~ 50MHz
 -20dB Minimum @50MHz ~ 100MHz
 Crosstalk: -35dB Minimum @1MHz ~ 30MHz / -30dB Minimum @30MHz ~ 100MHz

Schematics

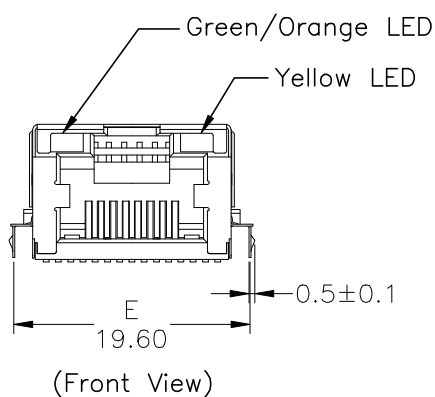
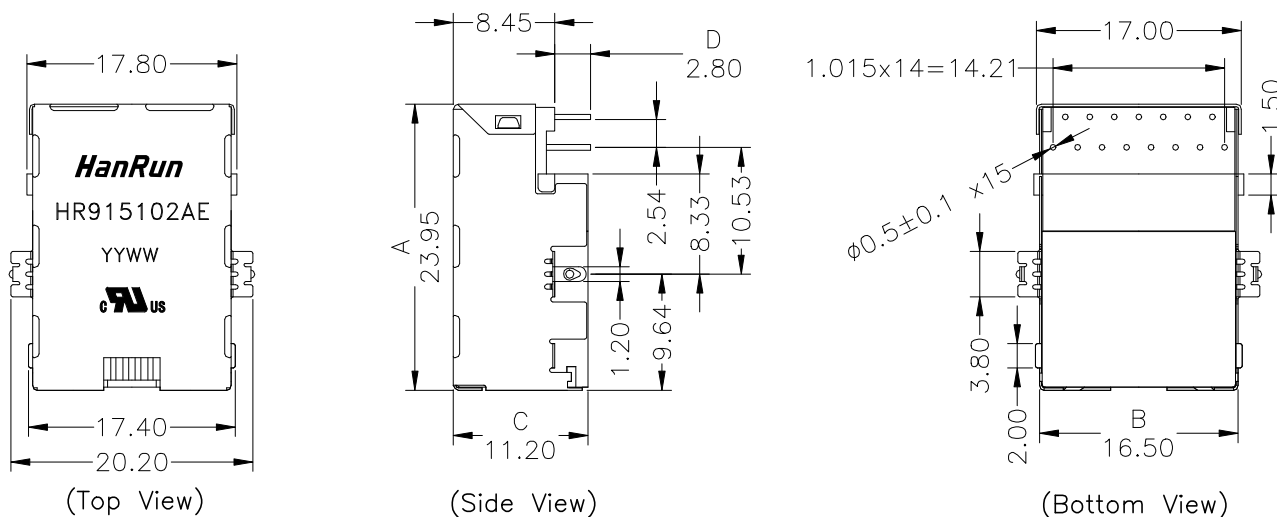


HR915102AE

Commercial standards, specifications and Summary:

- RoHS Compliant (Pb Free)
- Sing port Tab-UP with internal magnetics for 10/100/1000Base -T
- Meets or Exceeds IEEE802.3ab standards including 350uH Min OCL with 8mADC
- High performance for EMI suppression, Crosstalk, Return Loss and Consistent Electrical
- Minimum 2250VDC isolation per IEEE802.3 requirement
- UL Recognized Component: File # E330599

Mechanical Dimensions:



Standard LED	Wavelength	Forward V (Min/Max)	Forward A	Type
Green/Orange	569nm/600nm	1.8V/2.8V	20mA	squareness
Yellow	585nm	1.8V/2.8V	20mA	squareness

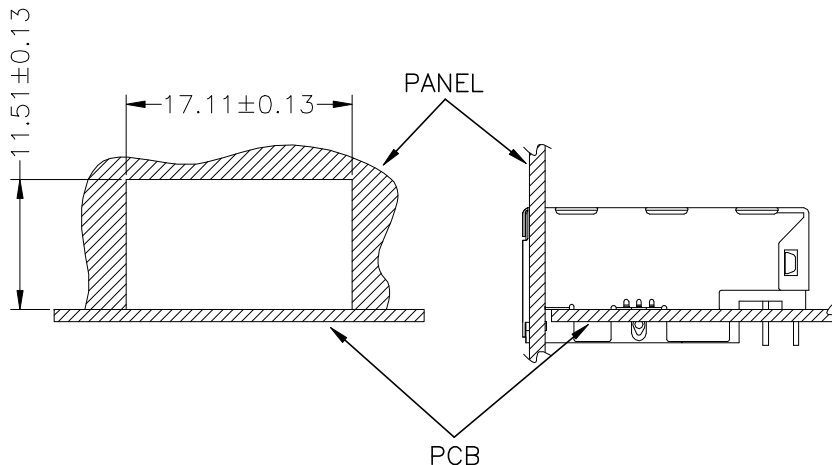
Dimensions in mm

Unless otherwise specified, Tolerance: .xx ±0.25

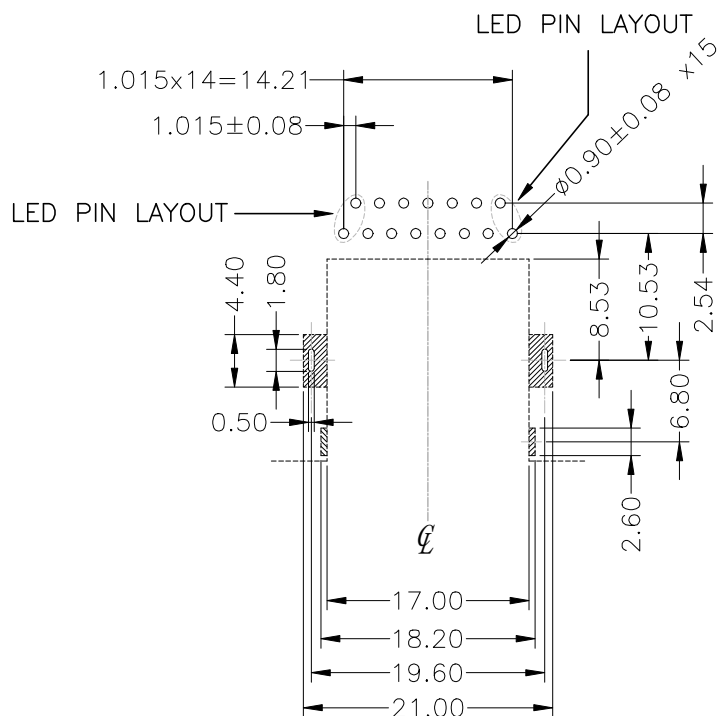
REV.: 00

HR915102AE

Suggested Panel Opening:



PCB Layout:



Recommended PCB layout (Component Side View)

Component side PCB thickness: 1.60mm

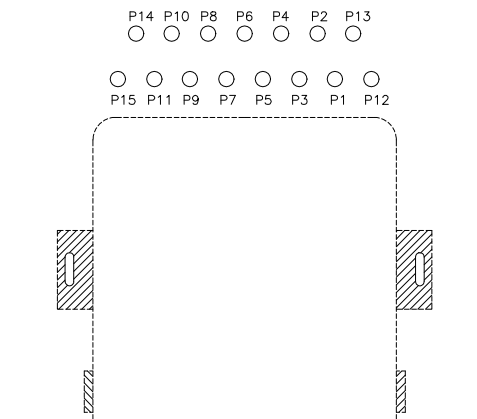
All dimension tolerance are ±0.08 unless otherwise specified

NOTES:

THE SHADED AREA ON THE CUSTOMER BOARD ARE RECOMMENDED TO CLEAR OFF ANY VIA HOLE OR COMPONENT PAD

HR915102AE

Pin Assignments:



(COMPONENT SIDE VIEW)

Mechanical Performance:

- Mating force: 5 lbs Maximum
- Unmating force: 5 lbs Maximum
- Plug to Jack Retention force: 20 lbs Minimum
- Operating life: 750 Cycles Minimum

Operating and Storage Temperature:

- Operating Temperature Range: $-40^{\circ}\text{C} \sim +85^{\circ}\text{C}$
- Storage Temperature Range: $-40^{\circ}\text{C} \sim +85^{\circ}\text{C}$