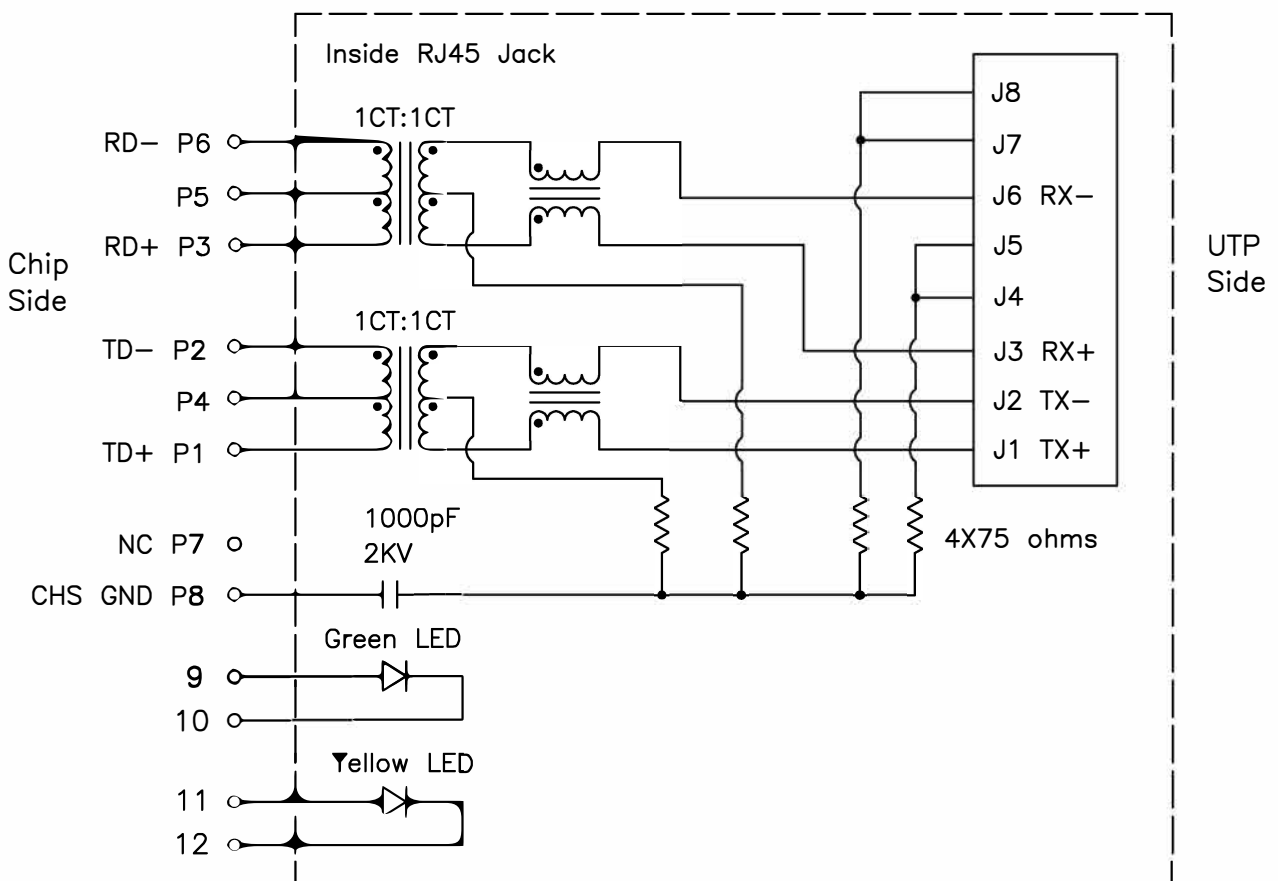


**HR911205C**

**Electrical Specification @25°C**

- Isolation: 1500Vrms (UTP Side to Chip Side)
- OCL: 350uH Minimum @100KHz 100mV with 8mADC
- Insertion Loss: -1.0dB Maximum @300KHz ~ 100MHz
- Return Loss: -20dB Minimum @1MHz ~ 10MHz
  - 16dB Minimum @10MHz ~ 30MHz
  - 12dB Minimum @30MHz ~ 60MHz
  - 10dB Minimum @60MHz ~ 80MHz
- Common Mode Rejection: -30dB Minimum @1MHz ~ 50MHz
  - 20dB Minimum @50MHz ~ 150MHz
- Crosstalk: -40dB Minimum @1MHz ~ 30MHz
  - 35dB Minimum @30MHz ~ 60MHz
  - 30dB Minimum @60MHz ~ 100MHz

**Schematics**

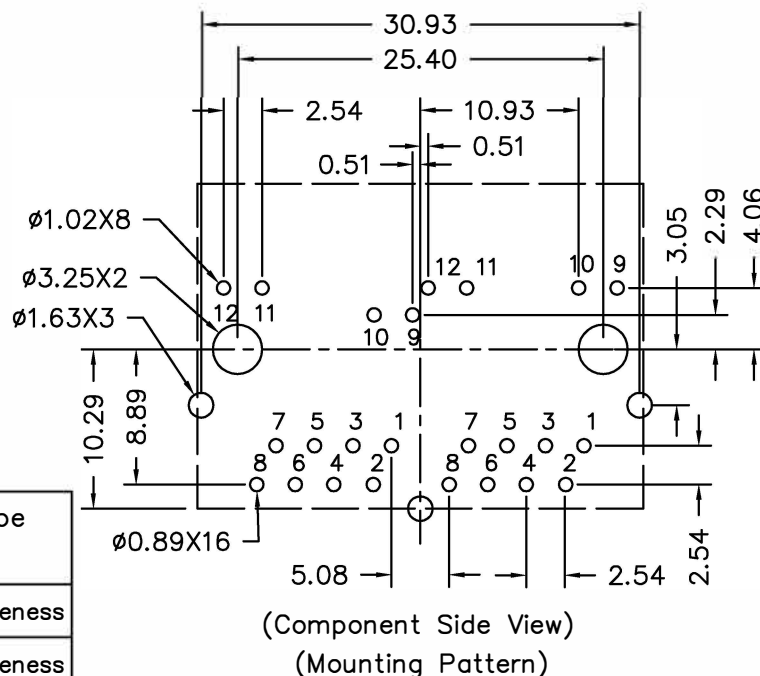
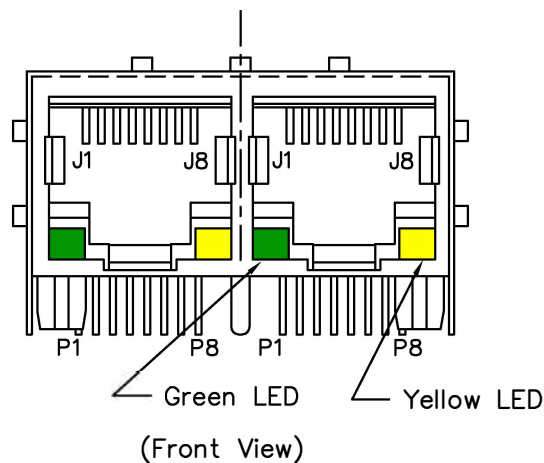
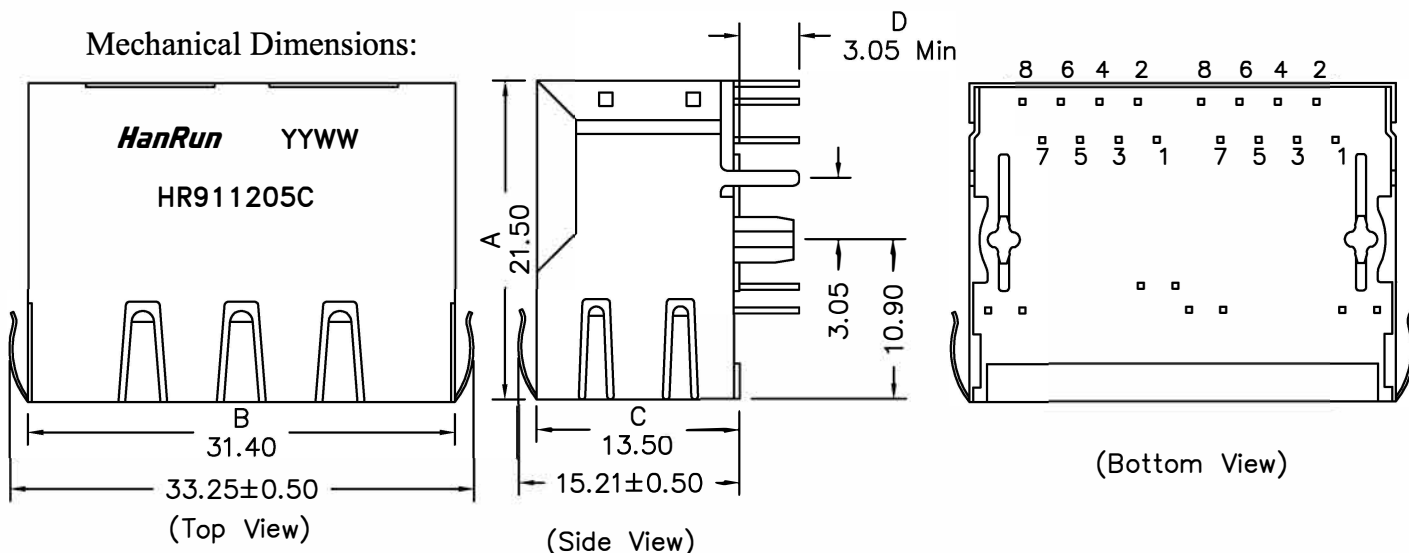


Notes: Connect CHS GND to PCB Ground

**HR911205C**

- Meets or Exceeds IEEE802.3 standards including 350uH Min OCL with 8mADC
- High performance for EMI suppression, Crosstalk, Return Loss and Consistent Electrical
- Minimum 1500Vrms isolation per IEEE802.3 requirement
- Minimize PCB space and Simplify PCB Layout
- Less magnetic components to be placed on PCB, higher reliability and yields

Mechanical Dimensions:



Standard LED	Wavelength	Forward V (Min/Max)	Forward A	Type
Green	568nm	1.8V/2.8V	20mA	squareness
Yellow	585nm	1.8V/2.8V	20mA	squareness

Dimensions in mm

Unless otherwise specified, Tolerance: .xx ±0.25

REV.B/1