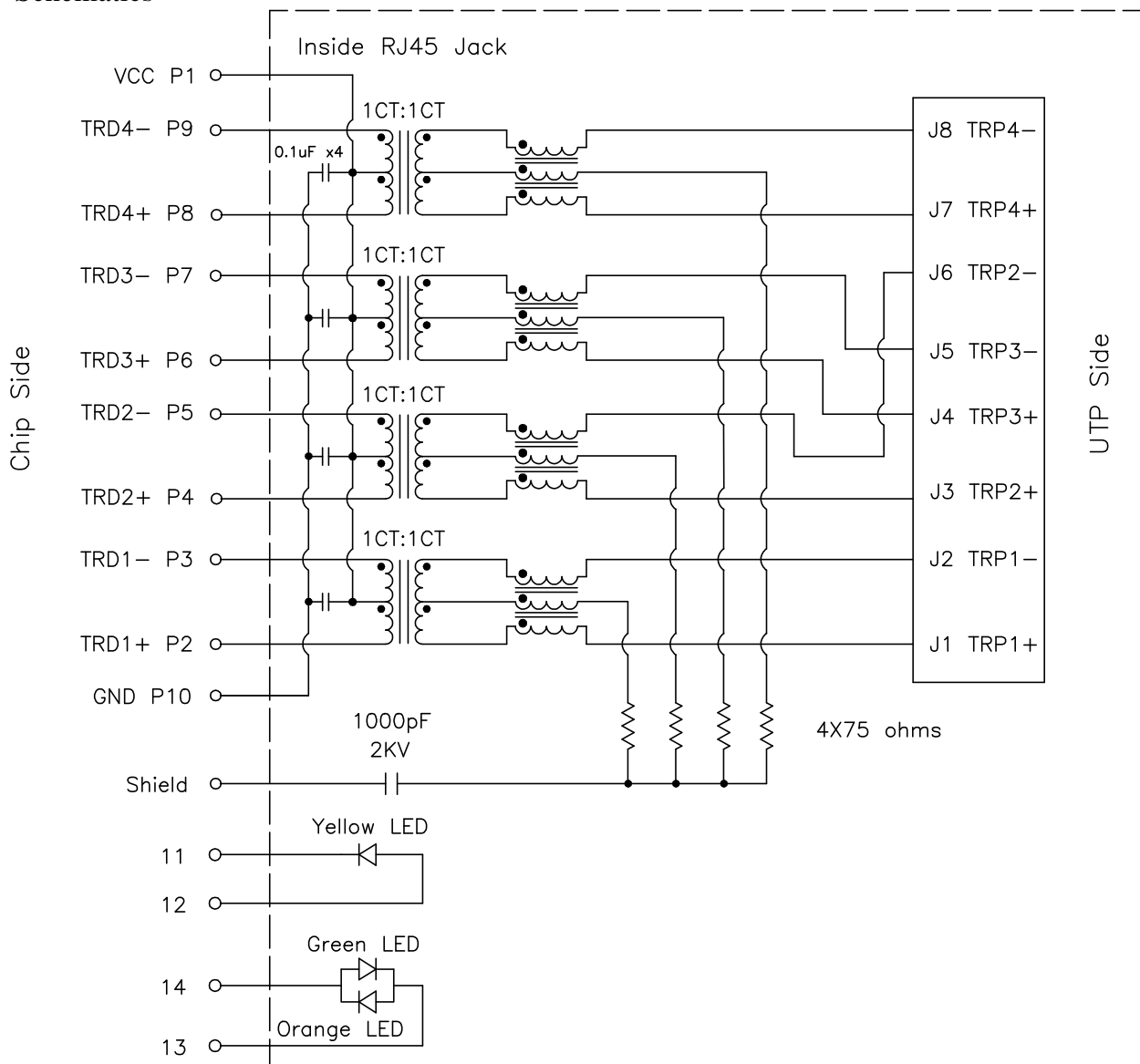


HR851120A

Electrical Specification @25°C

Isolation: 1500Vrms 0.5mA 60sec (UTP Side to Chip Side)
 OCL: 350uH Minimum @100KHz 100mV with 8mADC
 Insertion Loss: -1.0dB Maximum @1MHz ~ 100MHz
 Return Loss: -16dB Minimum @1MHz ~ 30MHz / -13.5dB Minimum @30MHz ~ 60MHz
 -12dB Minimum @60MHz ~ 80MHz / -10dB Minimum @80MHz ~ 100MHz
 CMR: -30dB Minimum @1MHz ~ 100MHz
 Crosstalk: -30dB Minimum @1MHz ~ 100MHz

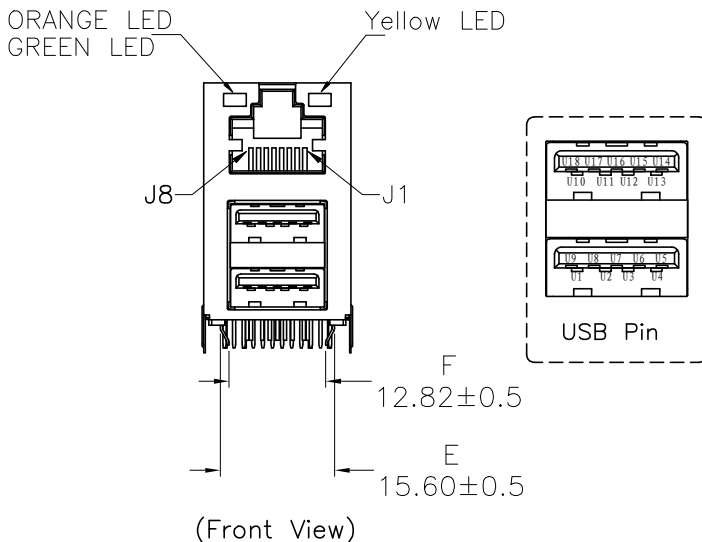
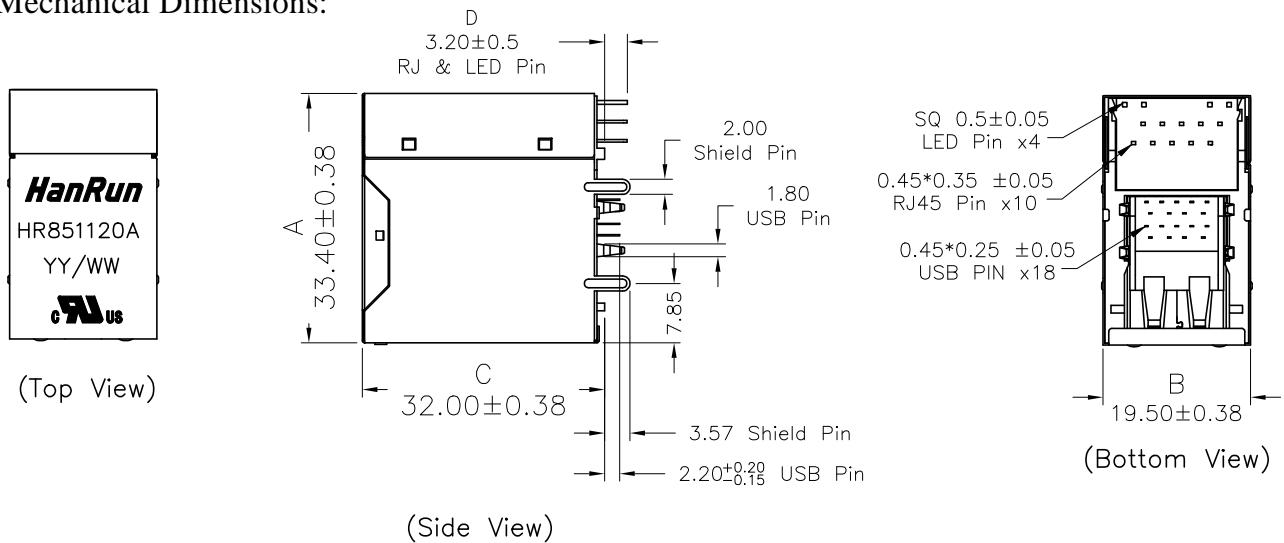
Schematics



HR851120A

- RoHS Compliant (PB Free)
- Meets or Exceeds IEEE802.3ab standards including 350uH Min OCL with 8mADC
- High performance for EMI suppression, Crosstalk, Return Loss and Consistent Electrical
- Minimum 1500Vrms isolation per IEEE802.3 requirement
- Minimize PCB space and Simplify PCB Layout
- Less magnetic components to be placed on PCB, higher reliability and yields
- UL Recognized Component: File # E330599

Mechanical Dimensions:



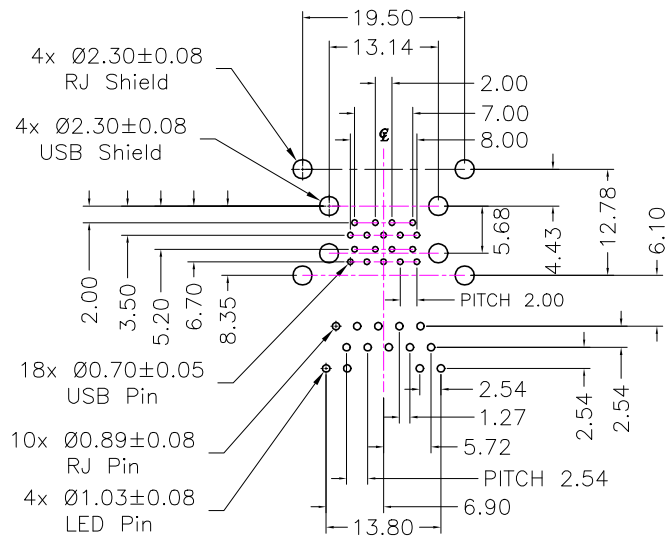
Standard LED	Wavelength	Forward V (Min/Max)	Forward A
Green/Orange	568nm/600nm	1.8V/2.8V	20mA
Yellow	585nm	1.8V/2.8V	20mA

Dimensions in mm
Unless otherwise specified, Tolerance: .xx ±0.25

REV.: 010

HR851120A

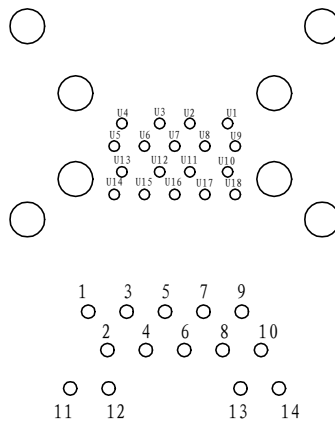
PCB Layout:



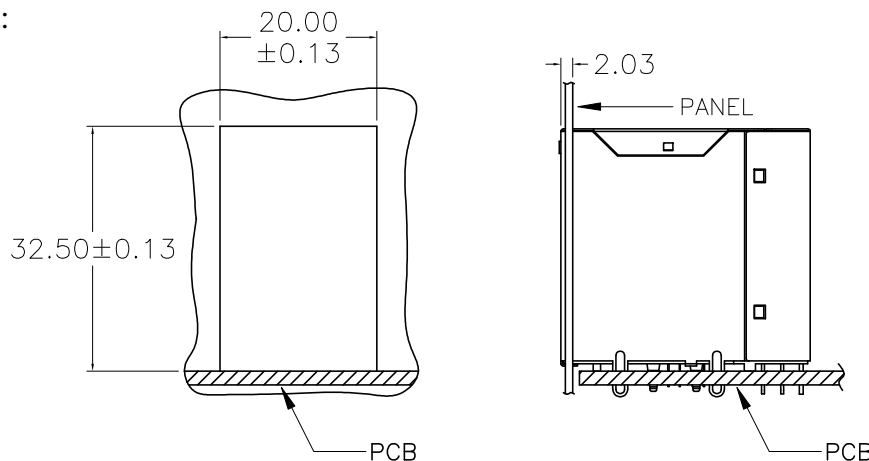
Recommended PCB layout (Component Side View)

All dimension tolerance are ± 0.08 unless otherwise specified

Pin Assignment:



Pin Assignment:



HR851120A

Material Specification:

RJ Housing: PBT GF Black UL94V-0
RJ Shield: 30u" Nickel over 0.20mm Thickness Brass
RJ Insert: PA66 GF Black UL94V-0
 Phosphor Bronze 0.35mm Thickness
 Plating Area, 30u" gold over 50u" nickel
 Solder Area, 100u" tin over 50u" nickel
RJ Contact pin: PA66 GF Black UL94V-0
 Phosphor Bronze 0.35mm Thickness
 100u" tin plating with nickel underplating
LED Conductor: PC Transparent UL94V-0
USB Contact: Phosphor Bronze
 15u" Gold plating on contact area
 100u" tin plating on solder tails
 50u" nickel underplating overall
USB Shield: Brass, 80u" nickel plated over all
USB Housing: PA46 GF Blue UL94V-0

Mechanical Performance:

RJ Mating force: 5 lbs Maximum
RJ Unmating force: 5 lbs Maximum
RJ Operating life: 750 Cycles Minimum
USB Mating force: 7.868 lbs Maximum
USB Unmating force: 2.248 lbs Minimum
USB Operating life: 1500 Cycles Minimum

Operating and Storage Temperature:

Operating Temperature Range: 0°C ~ +70°C
Storage Temperature Range: -40°C ~ +85°C