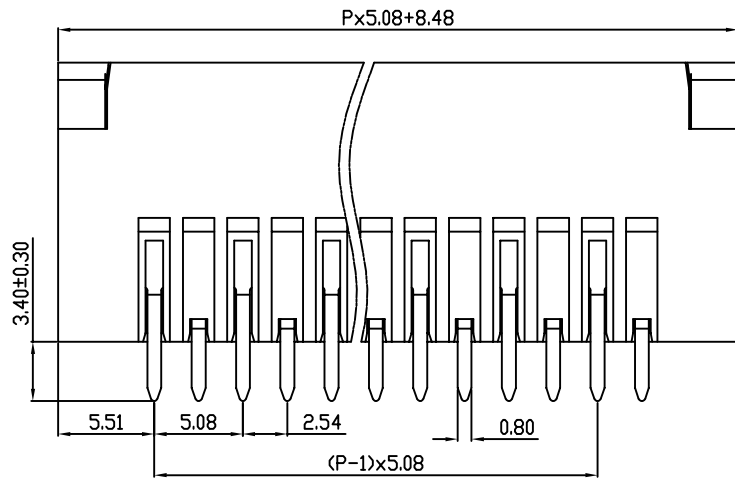
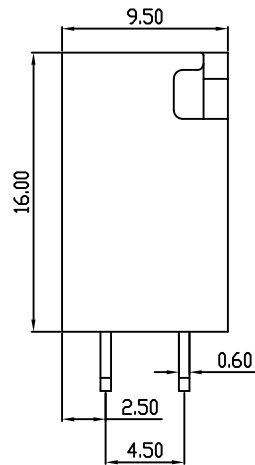
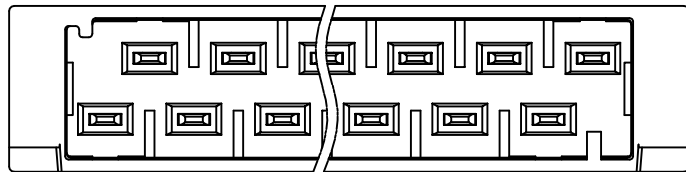
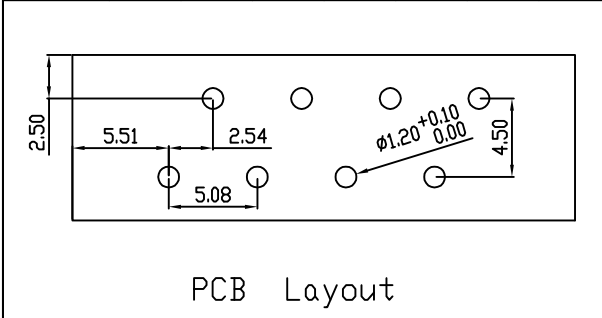


linear dimension(Tolerances Standard GB/T 14486-2008)								—	\square	\perp
variable range	to	over 6 to 10	over 10 to 30	over 30 to 60	over 60 to 100	over 100 to 160	over 160 to	to	over 10 to 100	over 100 to
	6	10	30	60	100	160		10	100	
tolerance	± 0.20	± 0.30	± 0.50	± 0.70	± 1.00	± 1.30	± 1.60	0.10	0.30	0.60



REVISION RECORD				
REV.	DESCRIPTION	ECN No.	APPROVED	DATE
A	新发行		CLF	23.03.14

UL/CUL 技术参数				
UL/CUL Technical Data				
等级	Use Group	B	C	D
额定电压	Rated Voltage [V]	300	-	300
额定电流	Rated Current [A]	8	-	8
接线范围	Wire Range			
单/多芯线	Solid/Stranded [AWG]	-		
耐电压	Withstanding Voltage	AC1600V/1Min		
IEC 技术参数				
IEC Technical Data				
过电压类别	Overvoltage Category	III	III	II
污染等级	Contamination Class	3	2	2
额定电压	Rated Voltage [V]	200	320	320
额定电流	Rated Current [A]	14	14	14
额定冲击电压	Impulse withstand voltagea [KV]	4	4	4
导线截面积	Conductor cross section			
硬质/柔性导线	Solid/flexible [mm ²]	-		
材料				
Material				
绝缘材料	Insulation Material	PA46		
阻燃等级	Flammability	UL94V-0		
导体材料	Contacting Material	铜合金 Copper alloy		
导体表面镀层	Contactive Coating	镀锡 Tin Plated		
一般参数				
Other Data				
间距	Pitch [mm]	5.08		
极数	Poles [P]	2x(02-20)		
剥线长度	Stripping Length [mm]	-		
螺丝	Screw/扭矩 Torque(Max) [N.m]	-		
工作温度	Operating temperatur [°C]	-40~+120		
引针尺寸	Pin Dimensions [mm]	2.60		
PCB板孔径	PCB Hole Diameter [mm]	1.20		

DES.	SJD	DATE	23.03.14
CHK.	BY	DATE	23.03.14
APP.	CLF	DATE	23.03.14

单位/UNITS mm 尺寸/SIZE A4 比例/SCALE 1:1

慈溪市科发电子有限公司
CIXI KEFA ELECTRONIC CO., LTD

第三视角/THIRD ANGLE PROJECTION

版本/REV A

名称/TITLE **KF2EDGLVG-5.08**